

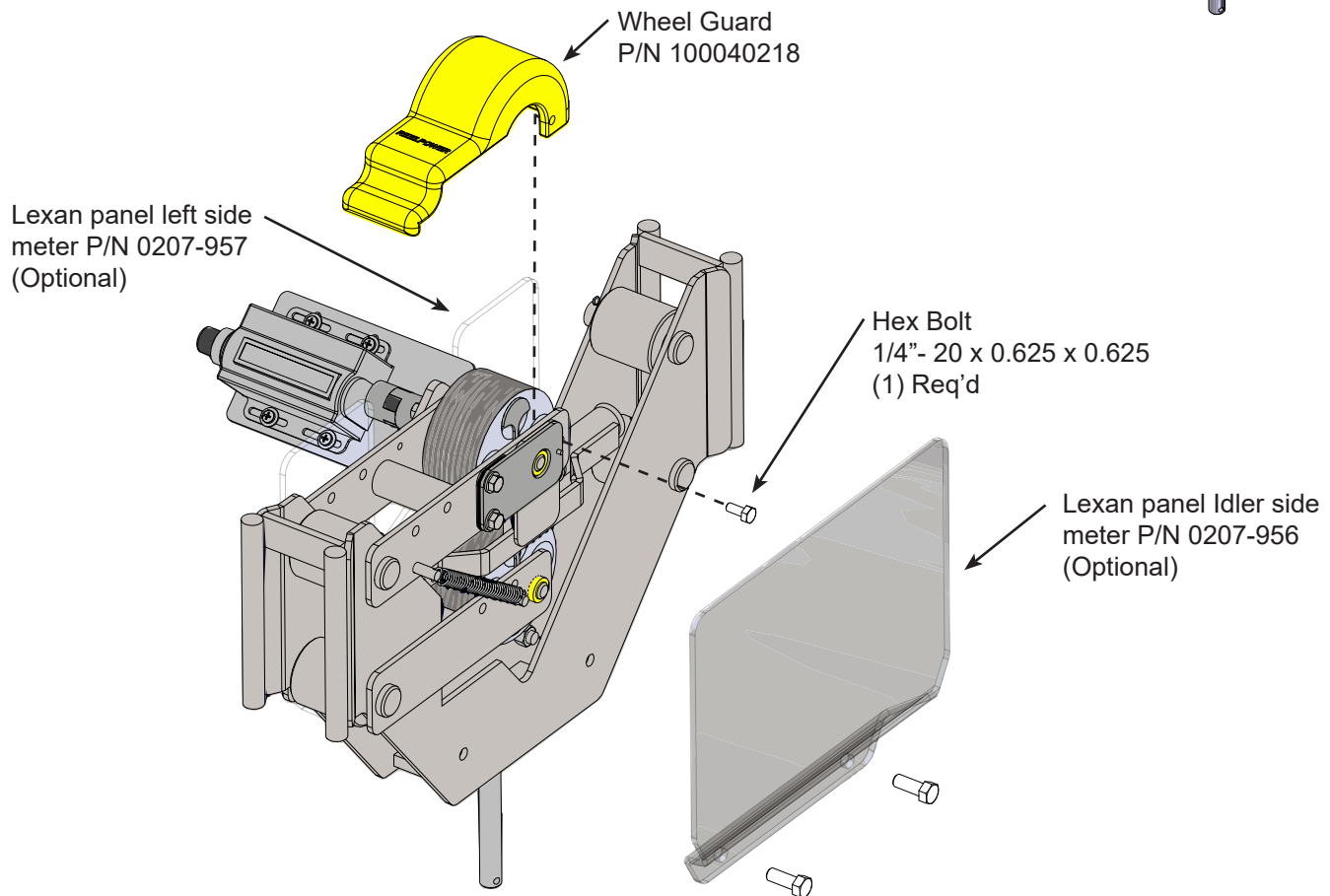
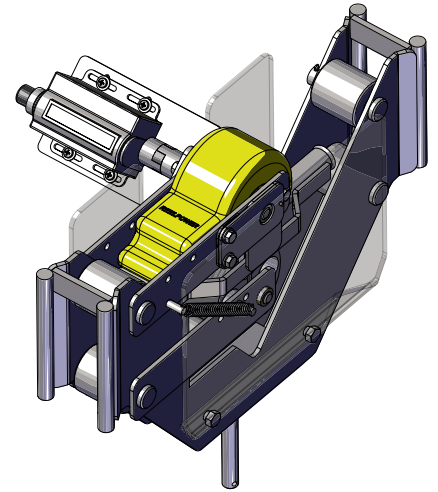
# REELPOWER

INDUSTRIAL

PRECISION WINDING EXPERTS

## QUICK START GUIDE

## WHEEL GUARD ASSEMBLY



- 1.) Position guard over wheel.
- 2.) Align guard with hole on bracket.
- 3.) Use hex bolt to tighten guard to bracket.



SG-0001-A-1023

5101 S. Council Road, Suite 100 • Oklahoma City, Oklahoma 73179  
Toll Free: 888-873-4000 • Telephone: 405-672-0000 • Fax: 405-672-7200  
Email: [sales@reelpower.com](mailto:sales@reelpower.com) • Website: [www.reelpowerind.com](http://www.reelpowerind.com)