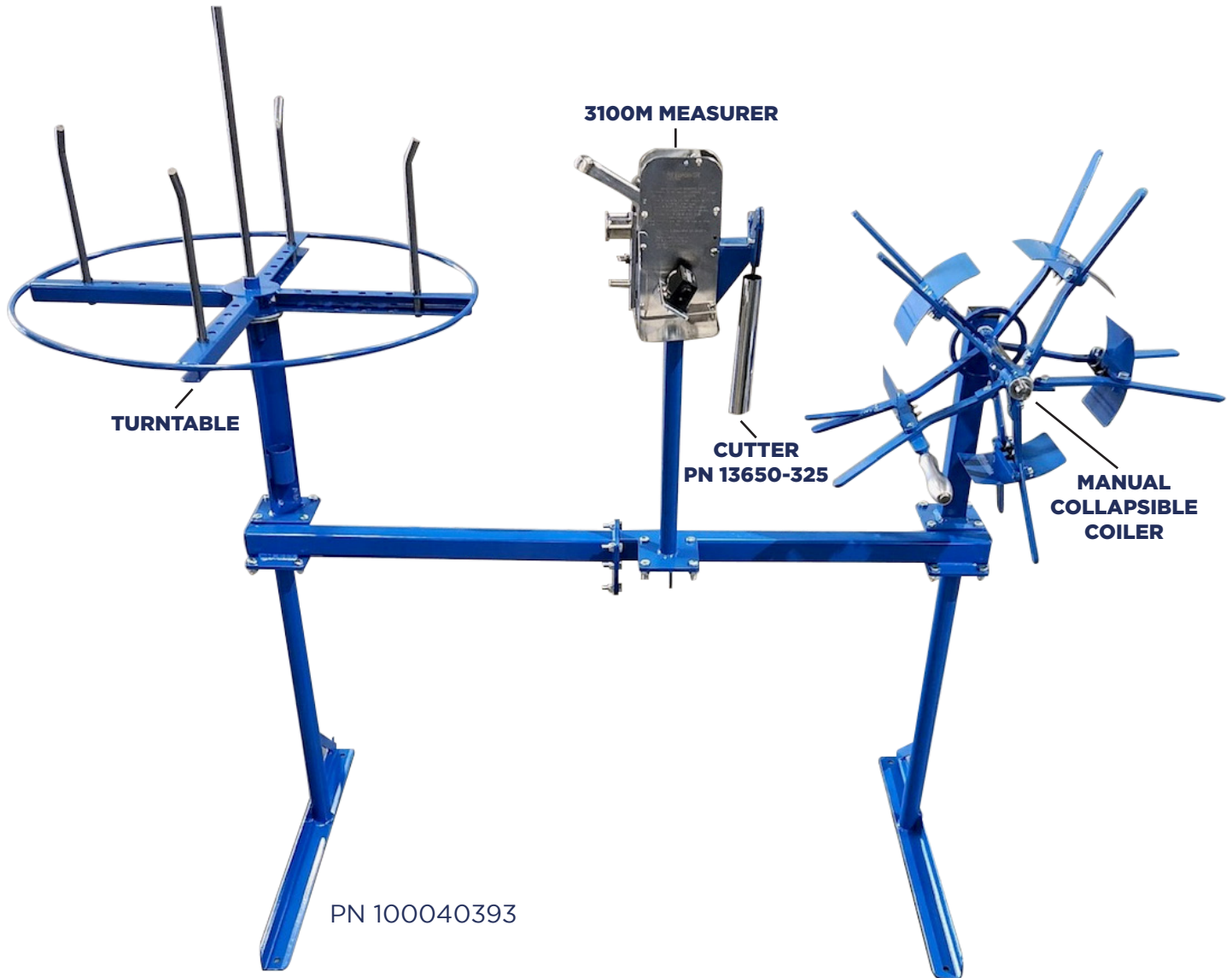


STATIONARY MANUAL COILER WITH TURNTABLE

PN 100040400 & 100040393



Base model 100040393 comes with steel wheel measurer
Upgrade model 100040400 comes with urethane wheel measurer

STATIONARY MANUAL COILER WITH TURNTABLE

PN 100040400 & 100040393



TURNTABLE
24" Diameter
With adjustable ID pins
PN 14000-37



3100M MEASURER
Material 1/64" (.4mm) to 7/8"
(22mm) diameter
PN 13650-317
INCLUDED WITH PN 100040393
WITH URETHANE WHEELS
PN 100001078
INCLUDED WITH PN 100040400



MANUAL COLLAPSIBLE COILER
3" Wide X 12" ID
PN 14000-43

